

a AUSTRALIAN

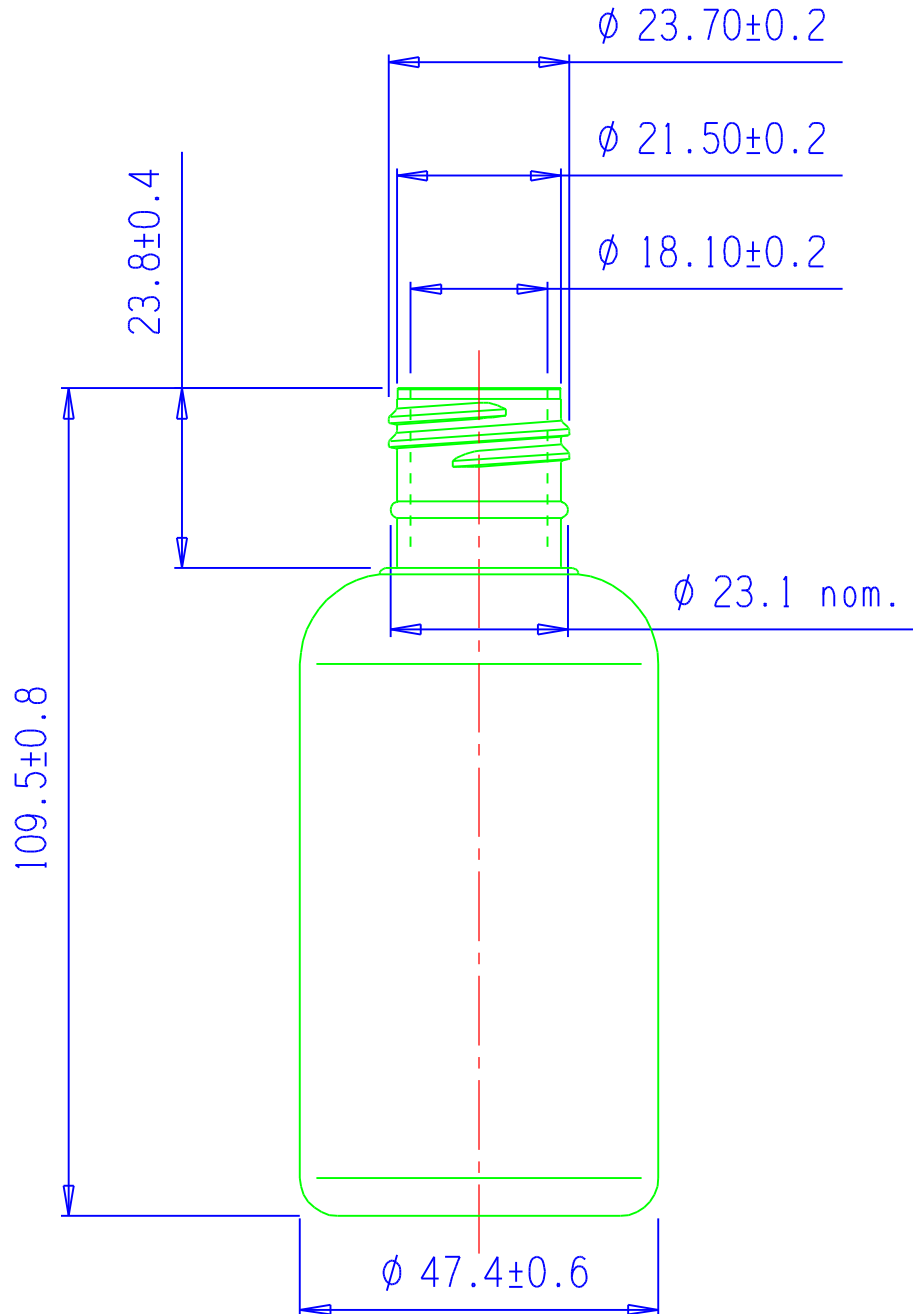
b BLOWMOULDING

C CORPORATION PTY. LTD. (INC. IN VIC.)

MATERIAL: HIGH DENSITY POLYETHYLENE

CAPACITY OF: 139ml ±2

WEIGHT: 12.0g ±1



PRODUCT DESCRIPTION: 125ml ROUND BOTTLE
24mm - 415 THREAD FINISH.

CUSTOMER: STOCK

MATERIAL AND COLOUR:
HDPE

SCALE:
FULL SIZE

TOLERANCES:

DATE OF DRAWING:
10.11.00

DRAWN BY:
PM

CHECKED BY:
PM

AUSTRALIAN BLOWMOULDING CORP. PTY. LTD.

CODE No.	DRAWING REVISION	DATE	BY
DRAWING No.	ABC-83		