

*a* AUSTRALIAN

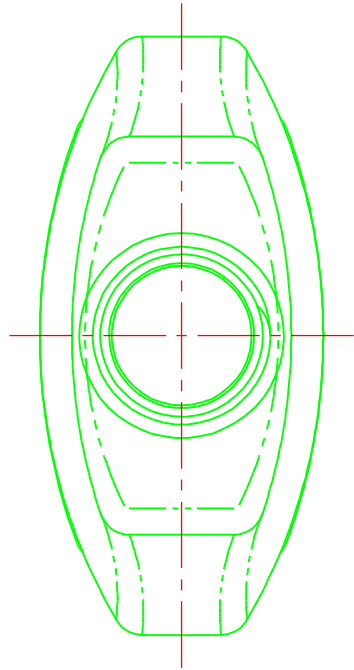
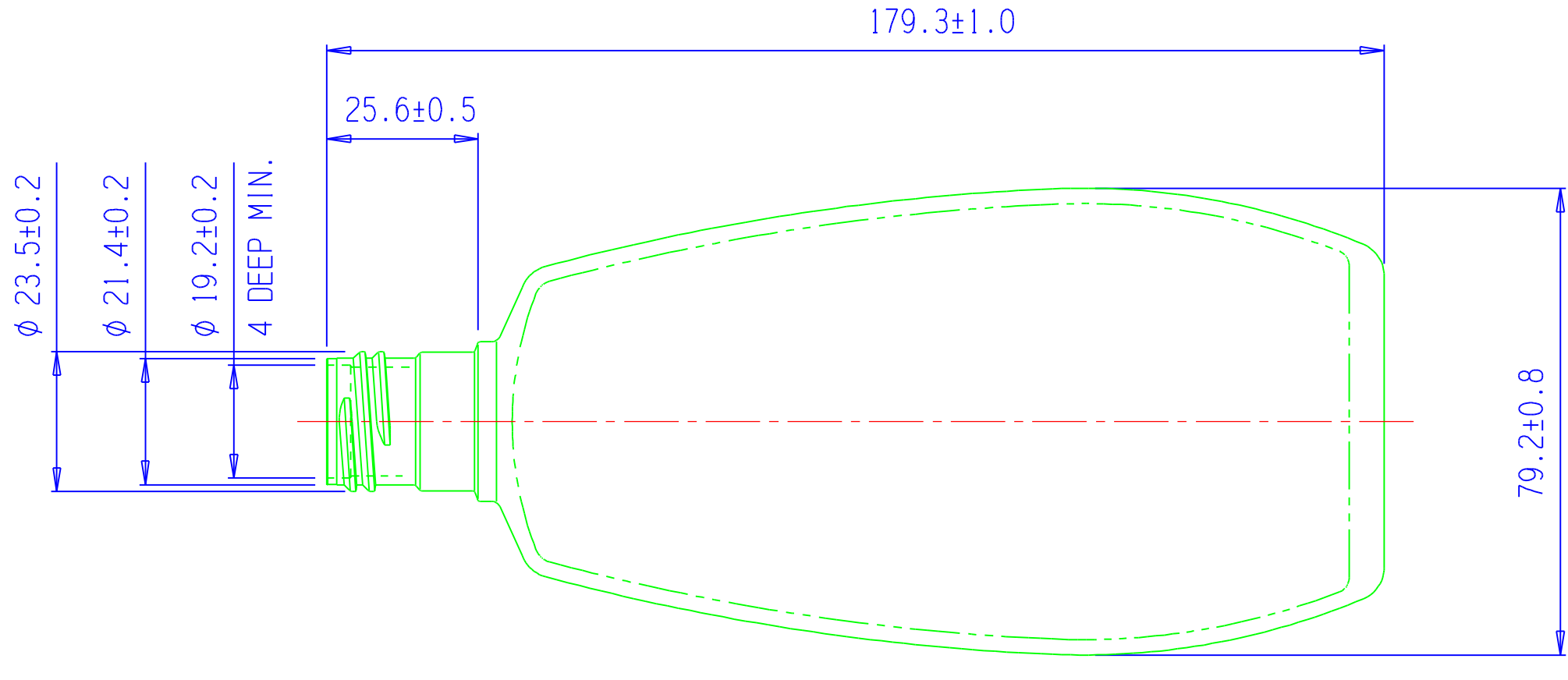
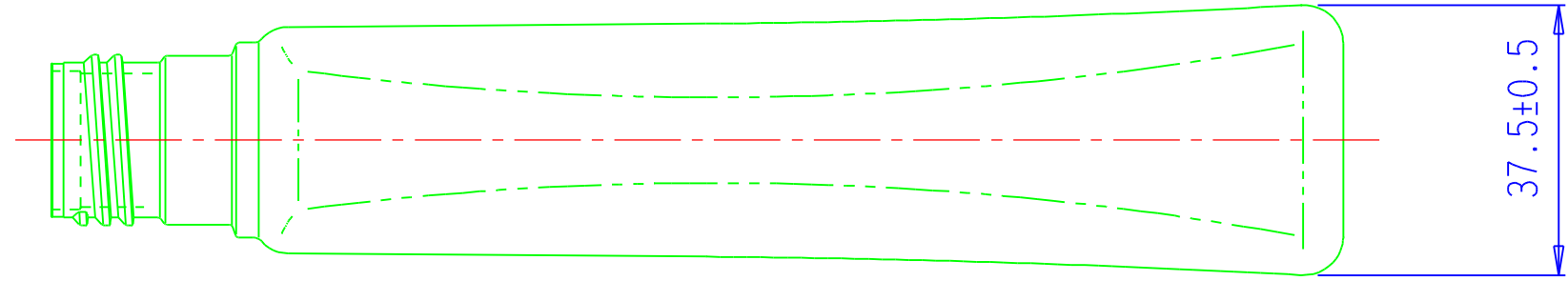
*b* BLOWMOULDING

*C* CORPORATION PTY. LTD. (INC. IN VIC.)

MATERIAL: HIGH DENSITY POLYETHYLENE - NATURAL

CAPACITY OF: 270ml ±2.0

WEIGHT: APPROX. 25.0g ±1.0



PRODUCT DESCRIPTION:		250ml OVAL BOTTLE with 24mm FINISH.					
CUSTOMER:		STOCK					
MATERIAL AND COLOUR:		HDPE	NATURAL	SCALE:	FULL SIZE	TOLERANCES:	
DATE OF DRAWING:	22.05.99	DRAWN BY:	PM	CHECKED BY:	PM		
AUSTRALIAN BLOWMOULDING CORP. PTY. LTD.				CODE No.	DRAWING REVISION	DATE	BY
				DRAWING No. ABC-68			