

a AUSTRALIAN

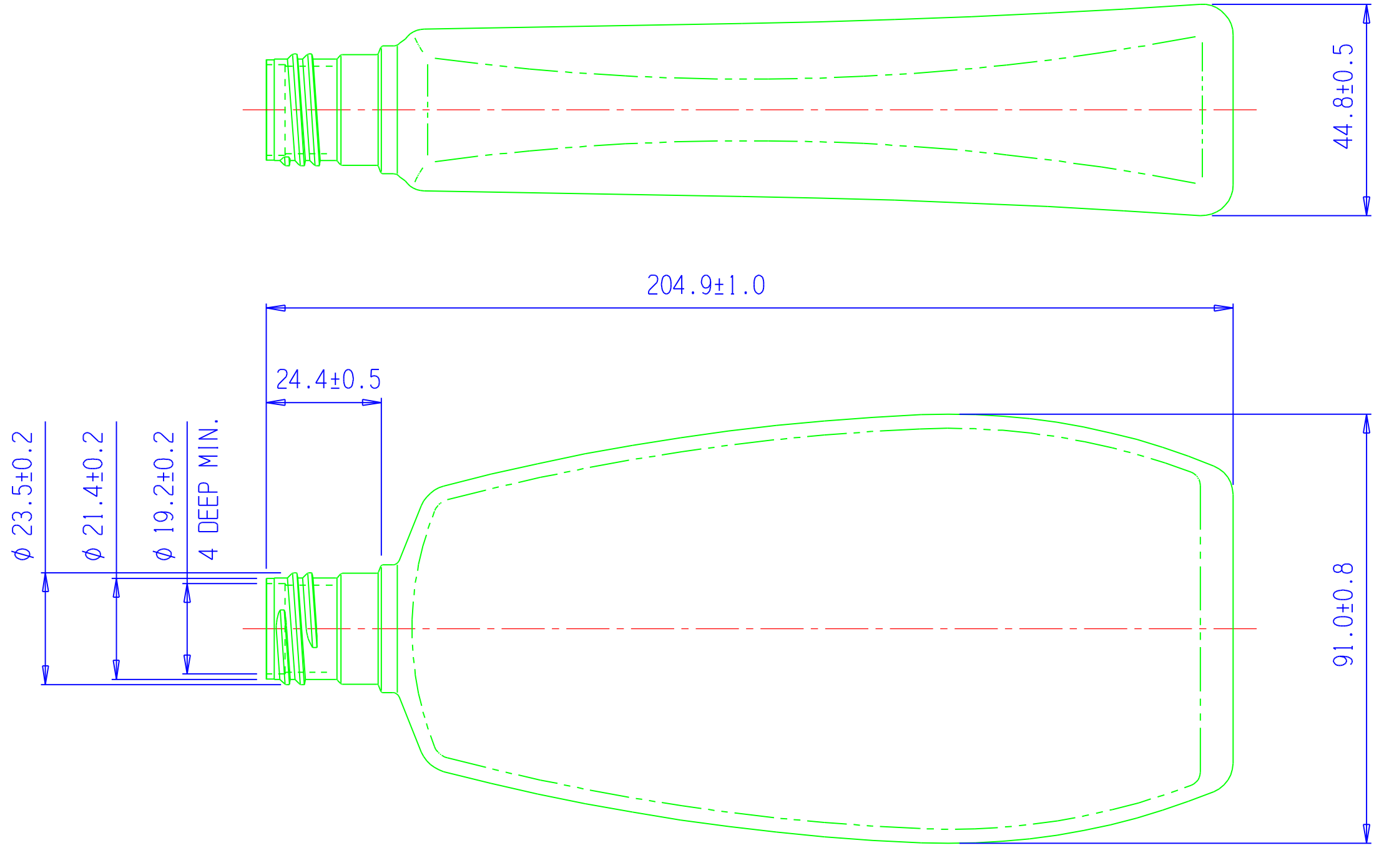
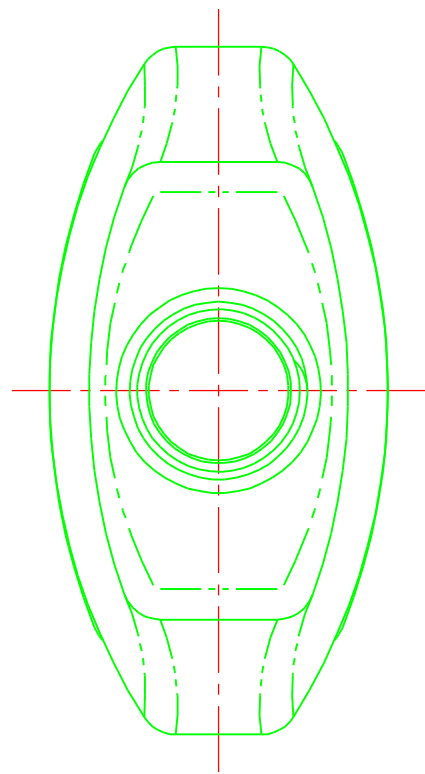
b BLOWMOULDING

C CORPORATION PTY. LTD. (INC. IN VIC.)

MATERIAL: HIGH DENSITY POLYETHYLENE - NATURAL

CAPACITY OF: 415ml ±2.0

WEIGHT: APPROX. 38.0g ±1.0



PRODUCT DESCRIPTION: 375ml OVAL BOTTLE with 24mm FINISH.

CUSTOMER: STOCK

MATERIAL AND COLOUR: HDPE NATURAL SCALE: FULL SIZE TOLERANCES:

DATE OF DRAWING: 22.05.99 DRAWN BY: PM CHECKED BY: PM

AUSTRALIAN BLOWMOULDING CORP. PTY. LTD.

CODE No.	DRAWING REVISION	DATE	BY
DRAWING No.	ABC-67		